

NOTE: ALUMINUM ASSOCIATION
STANDARD COMMERCIAL TOLERANCES
APPLY -- UNLESS OTHERWISE NOTED

FINISH REQUIREMENTS PER
WORK INSTRUCTIONS

3"x12' (30.72 lbs)
3"x16' (40.96 lbs.)

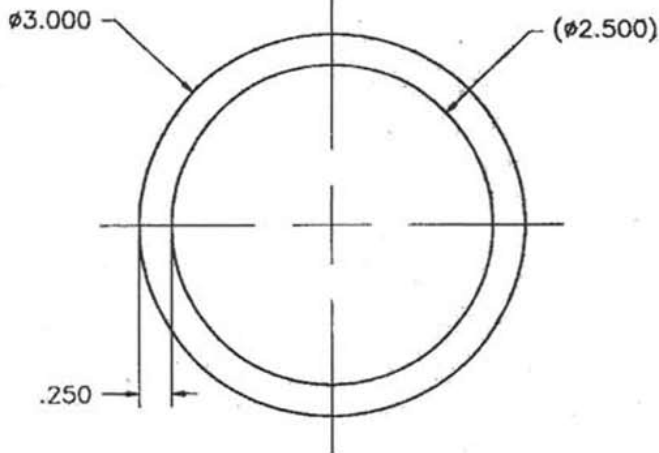
3"x2" Reducer



HD 3" Base



ALUMINUM POLES



TOLERANCES, UNLESS OTHERWISE SPECIFIED:

DIAMETER-

ALLOWABLE DEVIATION OF MEAN DIAMETER FROM SPECIFIED DIAMETER $\pm .015$
ALLOWABLE DEVIATION OF DIAMETER AT ANY POINT FROM SPECIFIED DIAMETER $\pm .030$

WALL-

ALLOWABLE DEVIATION OF MEAN WALL THICKNESS FROM SPECIFIED WALL THICKNESS $\pm .016$
ALLOWABLE DEVIATION OF WALL THICKNESS AT ANY POINT FROM MEAN WALL THICKNESS IS $\pm 10\%$
OF MEAN WALL THICKNESS, MAX $\pm .060$, MIN $\pm .010$

ORIGINAL ENGINEERING PLOT
STAMPED IN RED

SIZE DESCRIPTION		EXC. AREA	2.160
3.000 OD X 0.250 WALL		EXC. W/FT SQFT	2.540
REF. MNE-PBR-12H03 MNE-PBR-16H03		EXC. W/FT SQFT	2.566
		TOTAL PIP.	17.279
NO.	REVISIONS	DRWN	DATE
		DT 04-29-11	AA
DATE		CHECKED	SCALE
			FULL
		ISSUE NO.	ST-7572