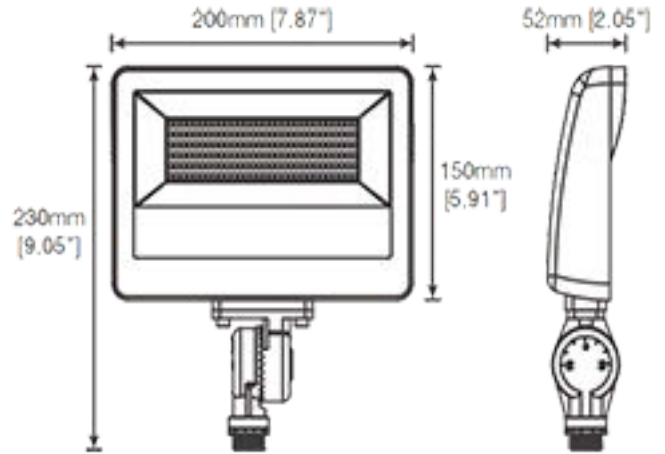


# FLOODLIGHT

## Installation Instructions



**Protect yourself.** Before installing, read the entire instructions carefully and save them for future reference.

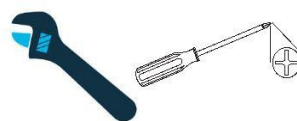
**Date installed:** \_\_\_\_\_

Failure to follow any of these instructions could void product warranties. Assumes no responsibilities for claims arising out of improper or careless installation or handling of its products. Upon receipt of fixture, thoroughly inspect for any freight damage. All damage should be reported to the delivery carrier. Compare the catalog description listed on the packing slip with the fixture label on the inside of the housing to be sure you have received the correct merchandise.

Mounting Hardware Required Purchase Separately

**REQUIRED TOOLS:**

- Description: 1/4" Allen wrench
- M8" Allen wrench
- Adjustable wrench
- Cross screwdriver





## READ AND FOLLOW THESE SAFETY INSTRUCTIONS!

- To reduce the risk of death, personal injury or property damage from fire, electric shock, falling parts, cuts/abrasions, and other hazards please read all warnings and instructions included with and on the fixture box and all fixture labels.
- Before installing, servicing, or performing routine maintenance upon this equipment, follow these general precautions.
- Commercial installation, service and maintenance of luminaires should be performed by a qualified licensed electrician.
- For Residential installation: If you are unsure about the installation or maintenance of the luminaires, consult a qualified licensed electrician and check your local electrical code.
- Maintenance of the luminaires should be performed by person(s) familiar with the luminaires' construction and operation and any hazards involved. Regular fixture maintenance programs are recommended.
- This fixture is intended to be connected to a properly installed and grounded UL listed junction box.
- It will occasionally be necessary to clean the outside of the refractor/ lens. Refractor/lens should be washed in a solution of warm water and any mild, non-abrasive household detergent, rinsed with clean water and wiped dry. Should optical assembly become dirty on the inside, wipe refractor/lens and clean in above manner, replacing damaged gaskets as necessary.
- DO NOT INSTALL DAMAGED PRODUCT! This luminaire has been properly packed so that no parts should have been damaged during transit. Inspect to confirm. Any part damaged or broken during or after assembly should be replaced.
- These instructions do not purport to cover all details or variations in equipment nor to provide every possible contingency to meet in connection with installation, operation, or maintenance.



### CAUTION RISK OF FIRE

- ▶ Keep combustible and other materials that can burn, away from lamp/ lens.
- ▶ Do not operate in close proximity to persons, combustible materials or substances affected by heat.



### WARNING RISK OF ELECTRIC SHOCK

- ▶ Disconnect or turn off power before installation or servicing.
- ▶ Verify that supply voltage is correct by comparing it with the



luminaire label information.

- ▶ Make all electrical and grounded connections in accordance with the National Electrical Code (NEC) and any applicable local code requirements.
- ▶ All wiring connections should be capped with UL approved wire connectors.

---

### CAUTION RISK OF INJURY

- ▶ Wear gloves and safety glasses at all times when removing luminaire from carton, installing, servicing or performing maintenance.
- ▶ Avoid direct eye exposure to the light source while it is on.

---

### CAUTION RISK OF PRODUCT DAMAGE

- ▶ Never connect components under load.
- ▶ Do not mount or support these fixtures in a manner that can cut the outer jacket or damage wire insulation.
- ▶ Unless individual product specifications deem otherwise: Never connect an LED product directly to a dimmer packs, occupancy sensor, timing device, or other related control devices. LED fixtures must be powered directly off a switched circuit.
- ▶ Unless individual product specifications deem otherwise: Do not restrict fixture ventilation. Allow for some volume of airspace around the fixture. Avoid covering LED fixtures with insulation, foam, or other material that will prevent convection or cooling.
- ▶ Unless individual product specifications deem otherwise: Do not exceed fixtures maximum ambient temperature.
- ▶ Only use fixture in its intended location.
- ▶ LED products are Polarity Sensitive. Ensure proper Polarity before installation.
- ▶ Electrostatic Discharge (ESD): ESD can damage LED fixtures. Personal grounding equipment must be worn during all installation or servicing of unit.
- ▶ Do not touch individual electrical components as this can cause ESD, shorten lamp life, or alter performance.
- ▶ Always read the fixtures complete installation instructions prior to installation for any additional fixture specific warnings.

## CHOOSE SETTINGS (OPTIONAL)

- To change settings, use a straight screwdriver to remove the plug on the side of the fixture See Figure ①. Type tighten to min. 1.5ft-lbs (2Nm) to max. 1.8ft-lbs (2.5Nm).
- Choose your settings and replace switch cover. Set the dip switch to the appropriate position. Selective type See Figure ②.

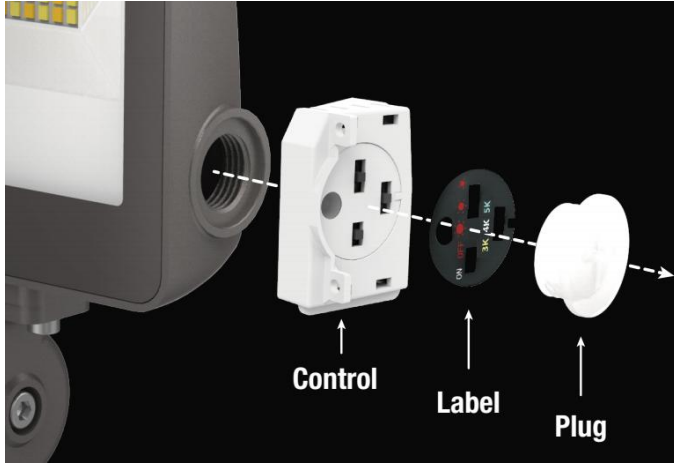


Figure ①

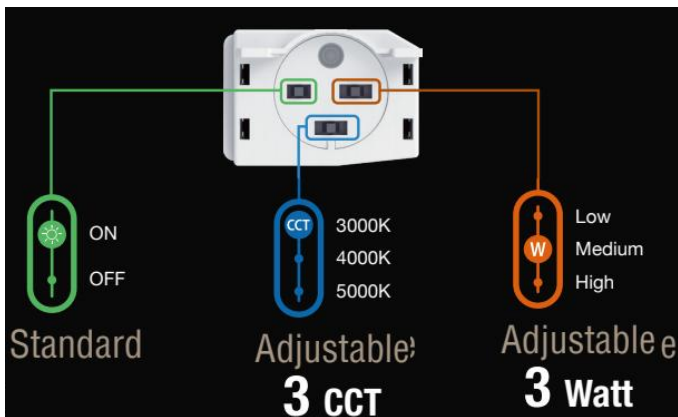


Figure ②

## Installation instructions for different supports

- Remove fixture components and parts pack. Check to ensure all parts are included. **Note:** Account for small parts and destroy packing material, as these may be hazardous to children.



**Knuckle + Plug**  
(Bronze / White)  
Available For Low Wattages  
(15W ~ 60W)



## Fixture Wiring

**Note:** Fixture Driver provides 0-10V dimming output for aftermarket controls. As shown in Figure A.

- Connect wiring per the wiring diagram and standard wiring practices.
- If 0-10V wiring is not used, make sure wires are capped.
- Turn off electrical power at fuse or circuit breaker box before wiring fixture to the power supply.

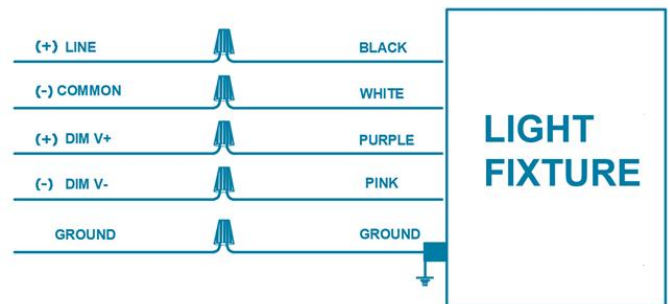


Figure A

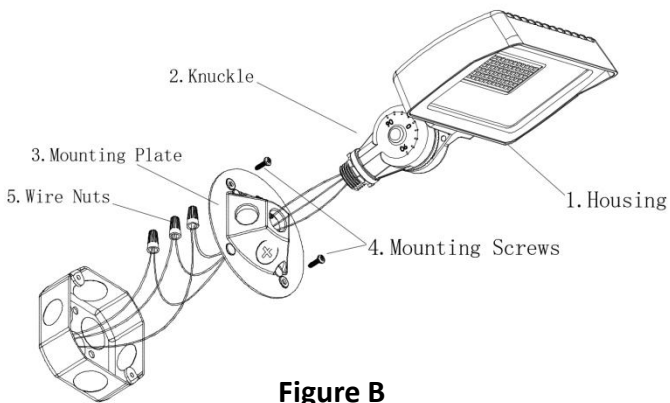
## KNUCKLE MOUNT

- The knuckle is the factory bracket of lamps, users can be modified on the basis of the corresponding accessories, the knuckle mount does not provide installation
- The knuckle mount applies to 60W installations.

## KNUCKLE +ARTICULATION MOUNT

- The knuckle articulation mount applies to F60W installations.
- Thread Mounting Plate (3) onto Knuckle (2) and tighten locknut to secure or thread knuckle into a 1/2 NPS hole in a compatible mounting apparatus. Note: Seal arm thread using Teflon tape or silicone sealant. Refer to wiring instructions for power connection.
- Use mounting screws (4) to secure Mounting plate to junction box.
- To adjust the tilt angle of the fixture, loosen the 1/4-20 Socket Cap Screw in the Knuckle with a 3/16 Allen wrench, rotate fixture to the desired angle and re-tighten screw to min. 2.2ft-lbs(3Nm) to max. 2.5ft-lbs (3.5Nm).See Figure B.
- To ensure weatherproof seal, apply weatherproof silicone

sealant around the edge of the junction box (not supplied). This is especially important with an uneven wall surface.



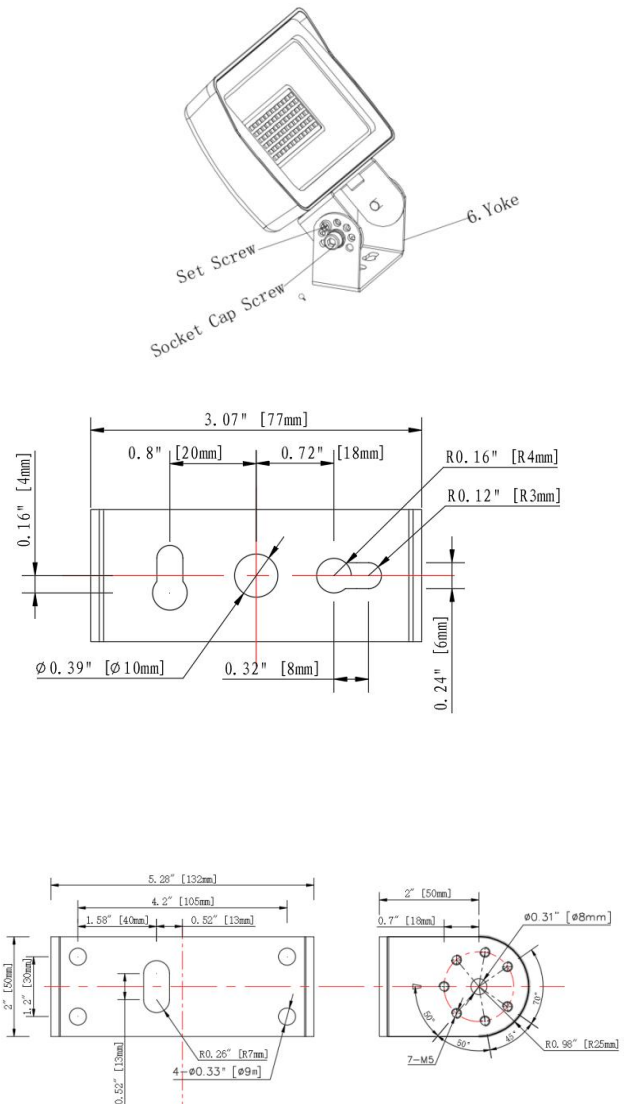
**Figure B**

### YOKE MOUNT

- The knuckle plug mount applies to all power installations.
- 1: The following steps are for 60W lamps**
- ① If Yoke mount is desired, remove Knuckle and install Yoke.
- ② To install Yoke mount
- ③ Remove Knuckle from Fixture using 3/16" Allen wrench to remove two 1/2" 1/4-20 Socket Cap Screws and pull Knuckle gently off cord.
- ④ Thread cord through center hole in upper section of Yoke (6).
- ⑤ Secure Yoke to housing with Socket Cap Screws removed earlier.
- ⑥ Tighten to min. 2.2ft-lbs (3Nm) to max. 2.5ft-lbs (3.5Nm) Mount fixture to the desired bracketry with 10#-24 bolts, lock washer, and nut (not provided). See Figure B for template of yoke bracket hole pattern.
- ⑦ To adjust the tilt angle of the fixture, use 3/16" Allen wrench to loosen the 1/4-20" Socket Cap screws on both sides of the yoke. While holding weight of fixture, use a 9/64" cross screwdriver #8-32 Cross Recessed Pan Head Machine Screws, adjust to desired angle and reinstall set screw in appropriate matching hole. Re-tighten screws to min. 2.2ft-lbs (3Nm) to max. 2.5ft-lbs (3.5Nm) to secure. See Figure C.
- 2: The following steps are for 200W, 450W lamps.**
- ① If Yoke mount is desired, remove slip fitter and install Yoke.
- ② To install Yoke mount.
- ③ Remove slip fitter from Fixture using M8\M12" Allen wrench to remove four M8 one M12 Socket Cap Screws and pull Knuckle gently off cord.
- ④ Thread cord through center hole in upper section of Yoke (6).
- ⑤ Secure Yoke to housing with Socket Cap Screws removed

earlier.

- ⑥ Tighten to min. 5.9ft-lbs (8Nm) to max. 6.4ft-lbs (8.5Nm) Mount fixture to the desired bracketry with M8 bolts, lock washer, and nut (not provided). See Figure B for template of yoke bracket hole pattern.
- ⑦ To adjust the tilt angle of the fixture, use adjustable wrench and Allen wrench to loosen the M8" Socket Cap screws on both sides of the yoke. While holding weight of fixture, use a M8" Allen wrench, adjust to desired angle and reinstall set screw in appropriate matching hole. Re-tighten screws to min. 5.9ft-lbs (8Nm) to max. 6.4ft-lbs (8.5Nm) to secure. See Figure C.

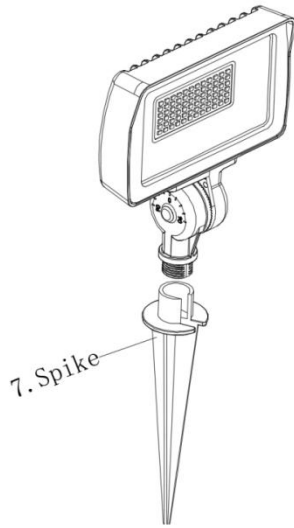


**Figure C**

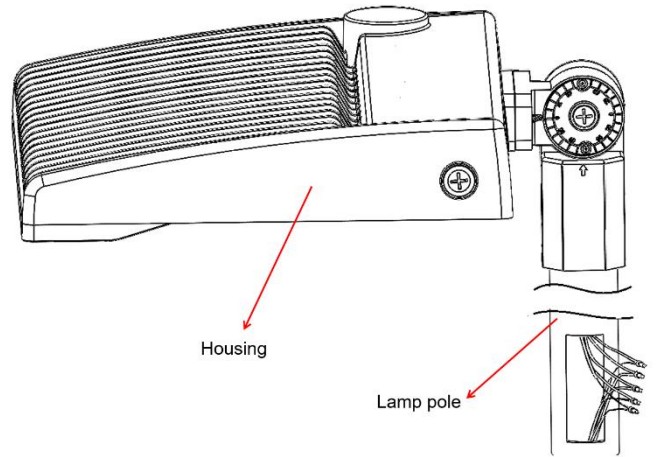
### KNUCKLE + PLUG MOUNT

- The knuckle plug mount applies to 60W installations.
- Thread Spike (7) onto Knuckle (2) and tighten locknut to secure or thread knuckle into a 1/2 NPS hole in a compatible mounting apparatus. Note: Seal arm thread using Teflon tape or silicone sealant. Refer to wiring instructions for power connection.

- To adjust the tilt angle of the fixture, loosen the 1/4-20 Socket Cap Screw in the Knuckle with a 3/16 Allen wrench, rotate fixture to the desired angle and re-tighten screw to min. 2.2ft-lbs(3Nm) to max. 2.5ft-lbs (3.5Nm).See Figure D.



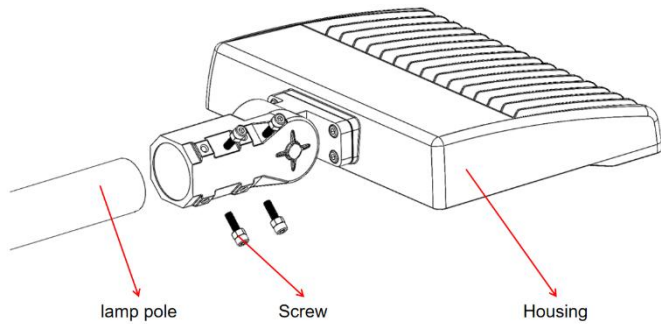
**Figure D**



**Figure F**

**SLIP FITTER MOUNT**

- Insert the lamp body into the lamp pole, and then use the M8 hex wrench to screw the four M8 screws (with a nut) into the rotary arm to tighten and secure it. As shown in Figure E.
- The knuckle articulation mount applies to 200W, 450W installations.



**Figure E**

**Check Wiring**

- SLIP FITTER MOUNT allow for the inspection of branch circuit connections after installation. Use a cross screwdriver to unscrew the four screws on bracket cover to check the wiring, as shown in Figure F