

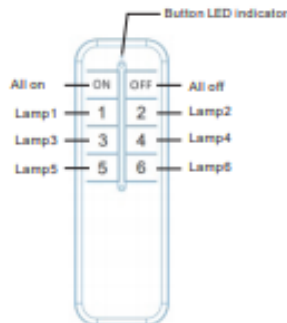
### Features Description

## 60W LED Work String Light

- 360-degree luminescence, efficient ADC12 die-cast aluminum plus surface treatment to accelerate heat dissipation.
- Isolated constant current power supply includes 2.4G remote control, 360-degree omni-directional operation remote control.
- Portable hooks are convenient, flexible and easy to operate.
- IP66 connector allows to connect 6 lamps in series.
- Suitable for outdoor wet or humid places. IP65 waterproof rating.
- The luminaire can be controlled by the remote control. One remote control can control up to 6 lamps. The remote control distance is up to 30 meters.
- Can replace up to a 250 watt HPS or MH lamp.



Model	Input Voltage	Power	Base	Lumens (LM)	CCT(K)	Lamp Size	Weight
BEN-CAC-60-75-30	AC100-277V 50/60Hz	60W	Pothook	7500LM ±5%	5000K	φ141*156 mm φ5.5*6, 1 in	1.1Kg



Project	Parameter
Operating Voltage	3-3.6V (Two 1.5V AAA battery powered)
Transmitting frequency	2400-2483.5MHz
Modulation	GFSK
Transmit power	6dBm
stand-by current	MAX 5uA
Working current	MAX 26uA
Remote control distance	30m
physical dimension	117*38*15mm

### Remote operation instructions

#### 1. Coded function

- If the LED lamp is already paired, it cannot be paired again and needs to clear the code first.
- Coding process: 1- turn off the AC power of the LED lamp for more than 10 seconds, 2- power on the LED lamp and press 3 times one of the digital keys of the RC(remote Control) in rapid succession within 3 seconds, (For example, if you want to assign it to button1, then press button1), you will see the LED lamp flashes 3 times, which indicates it's has been coded successfully, and the lamp has been assigned to button1. The coding process is same for other buttons/lamps.
- Note: One digital key can be paired with only one LED lamp.

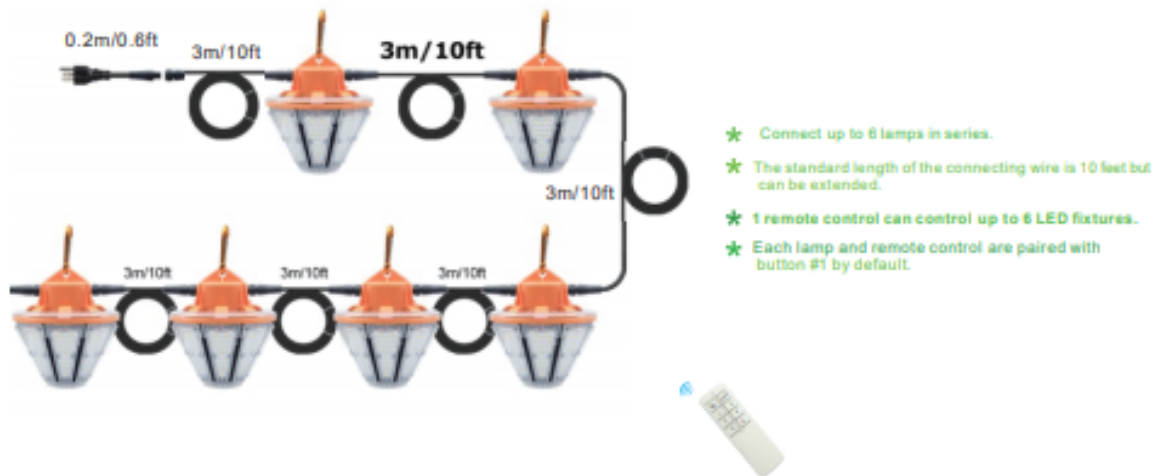
*Save the environment, your children and the planet*

## 2. Clear Code Function

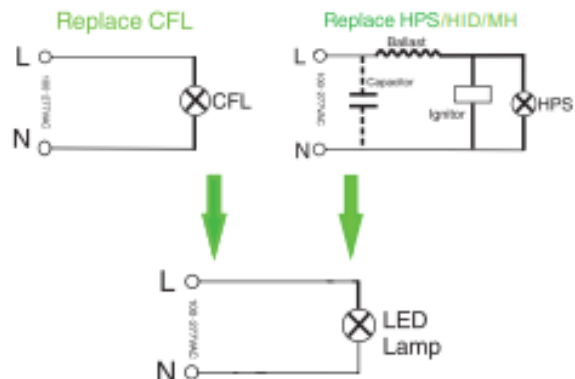
- 1-Turn off the AC power of the LED fixture for more than 10 seconds. 2-Power on the LED lamp. 3-quickly press 3 times one of the digital keys of the RC within 3 seconds (if the lamp has already been paired with button 1, you need to press another button. The LED flashes 6 times indicating that the LED lamp has been cleared successfully. To clear other buttons use the same procedure.

## 3. Grouped Lamps and a single lamp control

- Single lamp control: Press the assigned button to switch on and off the lamp. Use button ON and OFF to control all lamps in the same group.



Packing list	
Finished product lamp	1pcs
instructions	1pcs
remote control	1pcs
Plug wire	1pcs
3m cable	1pcs
Pothook	1pcs



### Installation Notes

- ! This LED is not intended for using with emergency exit fixtures or emergency lights, do not use with dimmers.
- ! Never repair the lamp by yourself, it should be repaired by professional person or maintenance center, otherwise it risks the chance of damage.
- ! To prevent wiring damage or abrasion, do not expose wiring to sharp edges of housing or other sharp surface.
- ! Protect the lamp from dust and dirt, clean with soft cloth only, do not use chemical cleaners.
- ! Use only on 100-277VAC, 50-60Hz circuits, do not use with HID ballast.
- ! Power supply must be turned off before installing or servicing.

### Warranty description

**The following circumstances will void the warranty:**

- ◆ Invoice can not be provided.
- ◆ Accidental or misuse damage.
- ◆ Modification or repairs without our company's permission.
- ◆ Warranty period expired.

*Save the environment, your children and the planet*