

ROADWAY STM



DESCRIPTION

LED RADIANT STM is designed to replace up to 400W MH, it provides excellent optical performance for a variety of area and road applications. The STM series can reduce energy costs by up to 65%, coupled with low maintenance costs, further reducing budget costs, meeting customers' low budgets while having high-quality lighting. It also provides photocell, sensor and surge protection options, as well as excellent lumen maintenance, the STM is ideal for sidewalks, parking lots and roads

SPECIFICATION FEATURES

Construction

- Heavy-duty cast aluminum housing and removable door 3G vibration rated to ensure strength of construction and longevity in application.
- Housing is completely sealed against moisture and environmental contaminants.
- EPA: 0.4567

Optics

- Available in IES Type II, III distribution.
- Offered Standard in 3000K, 3500K, 4000K and 5000K (+/- 275K) CCT and minimum 70 CRI.
- Scalable Lumen Packages from 9,200 to 20,000 Lumens.
- Optics is precisely designed to shape the distribution, maximizing efficiency and application spacing.

Electrical

- Standard drivers feature electronic universal voltage 120-277V, 347V-480V operation.
- Standard 1-10V dimming and 10kA(@120-277V) / 20KA(@347-480V) common and differential- mode surge protection available.
- Greater than 0.9 power factor, less than 20% harmonic distortion, and is suitable for operation in -40°C to 40°C ambient environments.
- LED drivers mount to die-cast aluminum back housing for optimal heat sinking, operation efficacy, and prolonged life.

Lifespan

- Estimated 50,000-hour LED lifespan based on IES LM-80 results and TM-21 calculations.

Certifications

- DesignLights Consortium™ Qualified.
- UL cUL wet location listed.

Note: DesignLights Consortium™ Qualified and classified for DLC Premium, refer to www.designlights.org for details.

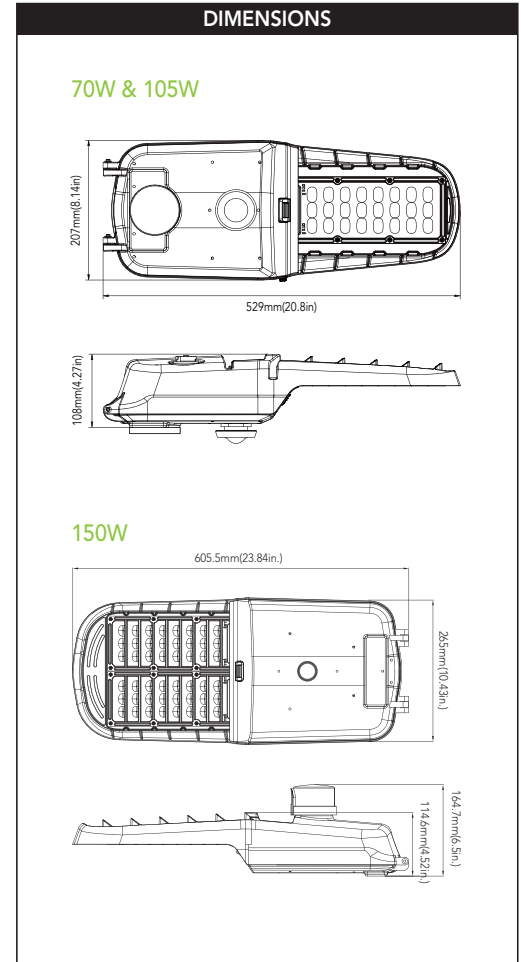
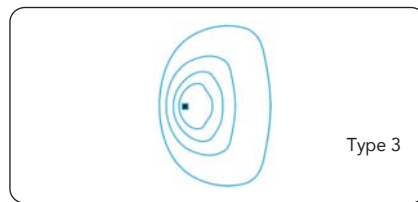
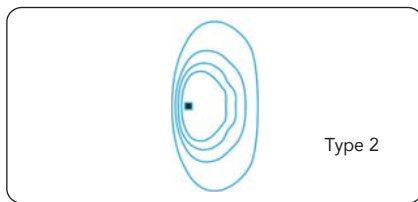
Warranty

- Five-year warranty.

PHOTOMETRICS

Type 2 optics creates an asymmetric distribution working well in walkway and roadway applications where more light is required "street side" than "house side".

Type 3 optics produces an asymmetrical pattern that directs the majority of the light forward and equally on both sides of the luminaire. In a back-to-back configuration, it creates a rectangular pattern which can extend pole spacings.



PERFORMANCE DATA

| SYSTEM WATTS | VOLTAGE | DIST. TYPE | CRI | LUMENS (3000K) | LPW (3000K) | LUMENS (3500K) | LPW (3500K) | LUMENS (4000K) | LPW (4000K) | LUMENS (5000K) | LPW (5000K) | EPA |
|--------------|-------------------|------------|-----|----------------|-------------|----------------|-------------|----------------|-------------|----------------|-------------|--------|
| 70W | 120-277V | 3 | 70 | 9600lm | 137 lm/W | 9600lm | 137 lm/W | 9900lm | 141 lm/W | 9900lm | 141 lm/W | 0.4567 |
| 70W | 347-480V | 3 | 70 | 9200lm | 131 lm/W | 9200lm | 131 lm/W | 9400lm | 134 lm/W | 9400lm | 134 lm/W | 0.4567 |
| 105W | 120-277V | 3 | 70 | 14300lm | 136 lm/W | 14300lm | 136 lm/W | 14600lm | 139 lm/W | 14600lm | 139 lm/W | 0.4567 |
| 105W | 347-480V | 3 | 70 | 14000lm | 133 lm/W | 14000lm | 133 lm/W | 14200lm | 135 lm/W | 14200lm | 135 lm/W | 0.4567 |
| 150W | 120-277V/347-480V | 2 | 70 | 19500lm | 130 lm/W | 19600lm | 131 lm/W | 19800lm | 132 lm/W | 20000lm | 133 lm/W | 0.4711 |
| 150W | 120-277V/347-480V | 3 | 70 | 19500lm | 130 lm/W | 19600lm | 131 lm/W | 19800lm | 132 lm/W | 20000lm | 133 lm/W | 0.4711 |

ELECTRICAL DATA

| Number Of Drivers | Driver Current (mA) | Nominal Power (W) | INPUT VOLTAGE (V) | CURRENT (Amps) |
|-------------------|---------------------|-------------------|-------------------|----------------|
| 1 | 1110 | 70 | 120 | 0.58 |
| | | 70 | 208 | 0.34 |
| | | 70 | 240 | 0.29 |
| | | 70 | 277 | 0.25 |
| 1 | 1850 | 70 | 347 | 0.20 |
| | | 70 | 480 | 0.15 |
| 1 | 850 | 105 | 120 | 0.88 |
| | | 105 | 208 | 0.50 |
| | | 105 | 240 | 0.44 |
| | | 105 | 277 | 0.38 |
| | 2520 | 105 | 347 | 0.30 |
| | | 105 | 480 | 0.22 |
| 1 | 5600 | 150 | 120 | 1.25 |
| | | 150 | 208 | 0.72 |
| | | 150 | 240 | 0.63 |
| | | 150 | 277 | 0.54 |
| | | 150 | 347 | 0.43 |
| | | 150 | 480 | 0.31 |

ORDERING GUIDE Example: STM 105W 27V XXK YYYYYY

| Fixture Type | Wattage | Voltage | CCT | Finish | Photocell (Option) | Motion Sensor (Option) | Photometry | Power Adjustable(Option) | Internal Code |
|----------------------|---|--|--|---|---|---|--|--|-------------------------------------|
| <input type="text"/> | <input type="text"/> | <input type="text"/> | <input type="text"/> | <input type="text"/> | <input type="text"/> | <input type="text"/> | <input type="text"/> | <input type="text"/> | <input type="text"/> |
| STM | 70 70W 105 105W 150 150W | 27V 120-277V 48V 347-480V | 30K 3000K 40K 4000K 50K 5000K | SG Silver Gray D Dark Bronze B Black W White | P With Photocell Blank Without Photocell | M With Sensor Blank Without Sensor | T2' TYPE II T3 TYPE III | AD With Power Adjustable Blank Without Power Adjustable | Blank Alphanumeric |

Note: 1. Only the 150W optional for TYPE II Photometry.