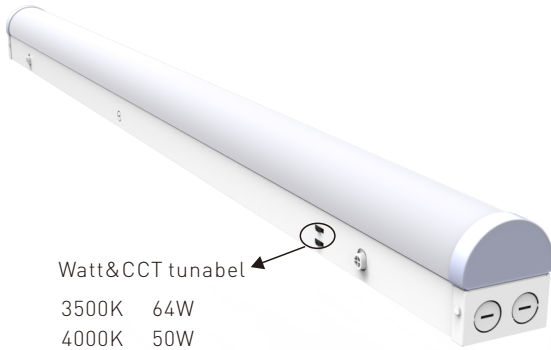


8ft 3Watts 3CCT Linear Strip LED



Watt&CCT tunabel

- 3500K 64W
- 4000K 50W
- 5000K 40W

Date:..... Location: .....

Product:.....Project:.....

Quantity:..... Catalog# .....

**FEATURES**

- 3Watts 3CCT, wide design strip, aluminum end cap, IP40 rated
- Surface mount or hanging mount, Easy installation.
- Corrosion and rust proof
- 50,000 hours lifetime, ETL DLC PREMIUM

**SUITABLE APPLICATIONS**

- Factory lighting
- Store lighting
- Shopping mall lighting
- Building lighting
- Warehouse lighting
- Baseroom lighting

**CONSTRUCTION:**

All steel surface are painted after fabrication with high gloss backed white matte powder painted;  
Extruded opal prismatic material with UV protection;  
End Caps: white aluminum material;  
High transmission Purity PC cover for best lumen output.

**ELECTRICAL:**

Available as 120-277V input. -4°F~104°F

**OPTICAL SYSTEM:**

High brightness Lumileds LED chips. High quality transmission pc optics. 120° beam angle.

**INSTALLATION&MOUNTING:**

Surface mount / Hanging Mounting with accessories.

**WARRANTY:**

5-year limited warranty. Actual performance may differ as a result of end-user environment application.

**PERFORMANCE**

Model NO	SIZE	Watt&tunabel	Voltage	Light Efficiency	CCT&Tunable
SS-SP05-8FT64/50/40W-H-TCP(XX)	8FT	64W/50W/40W	100-277V	130LM/W	3500K/4000K/5000K

➤ Electric Characteristic

Specification/Model	SS-SP05-8FT64/50/40W-H-TCP(XX)		
LED Driver	UL Driver 0-10V dimmable		
Input power	40W	50W	64W
Lumens output	5200LM	6500LM	8320LM
Efficiency	130LM/W	130LM/W	130LM/W
CRI	>80	>80	>80
Color Temperature	3500K/4000K/5000K Tunable	3500K/4000K/5000K Tunable	3500K/4000K/5000K Tunable
Input voltage	120-277V/AC	120-277V/AC	120-277V/AC
Light distribution type	120D	120D	120D
Working temperature	-4°F~104°F	-4°F~104°F	-4°F~104°F
Junction temperature	<75°C	<75°C	<75°C
lamps efficiency	≥90%	≥90%	≥90%
Certificate	UL CUL DLC	UL CUL DLC	UL CUL DLC
Equivalent	40-80WMH/HP S	80-150WMH/HP S	150-220WMH/HP S

**OPTIONAL ACCESSORIES**

Emergency Battery  
Model: LSED8W



3500K 4000K 5000K



CCT

35/40/50K CCT tunable

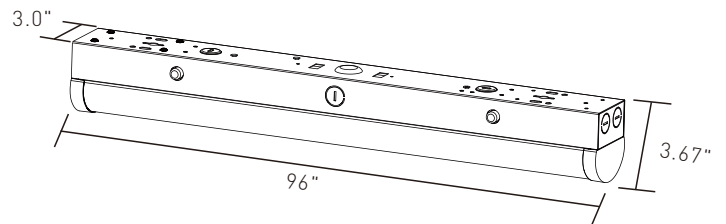
64W 50W 40W



Watt&tunabel

64W/50W/40W Watt&tunabel

➤ Electric Characteristic



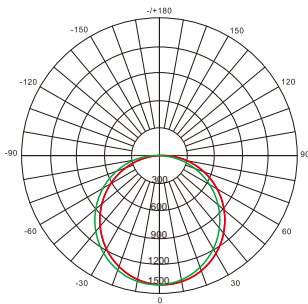
SS-SP05-8FT64/50/40W-H-TCP(XX)

➤ WARNING

1. The installation and maintenance must be completed by electricians or professionals.
2. Please cut off the power before installation and maintenance.
3. The thermally insulating material is not allowed to cover the fixture.
4. Please keep away from the corrosive substance, and keep the fixture dry and clean.
5. Working temperature: -4°F~104°F, storage temperature: -22°F~140°F.

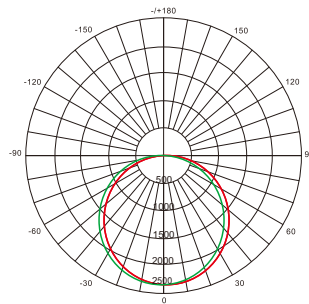
## DISTRIBUTION DIAGRAM

SS-SP05-8FT64/50/40W-H-TCP(XX)



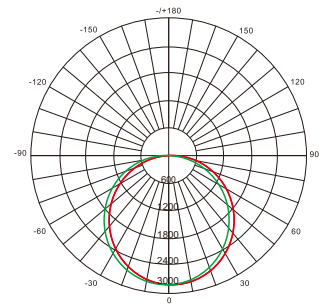
AVERAGE BEAM ANGLE(50%): 120°

UNIT:CD  
 - C0/180,130.9  
 - C30/210,130.5  
 - C60/240,129.3  
 - C90/270,129.1  
 Lumens:8320 LM  
 Test Number:64W  
 Test Number:5000K



AVERAGE BEAM ANGLE(50%): 120°

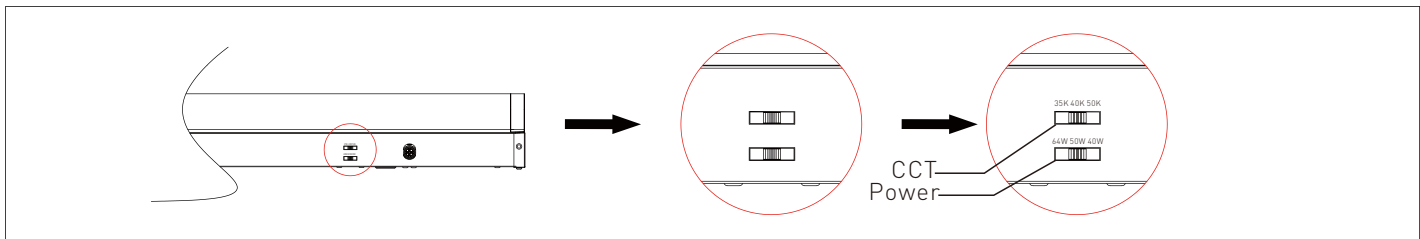
UNIT:CD  
 - C0/180,130.9  
 - C30/210,130.5  
 - C60/240,129.3  
 - C90/270,129.1  
 Lumens:6500 LM  
 Test Number:50W  
 Test Number:5000K



AVERAGE BEAM ANGLE(50%): 120°

UNIT:CD  
 - C0/180,130.9  
 - C30/210,130.5  
 - C60/240,129.3  
 - C90/270,129.1  
 Lumens:5200 LM  
 Test Number:40W  
 Test Number:5000K

## CCT&Wattage selectable



## Installation manual

### A.Surface-mounted installation

- 1.Punch a hole on the wall and put the expansion tube inside.  
8FT:LF=35.35" & 84.13"
- 2.Turn off the power and wiring by using wire nuts.  
ToSource: BLACK (LINE), WHITE (NEUTRAL), GREEN (GND). FIXTURE: BLACK (LINE), WHITE (NEUTRAL), GREEN (GND). Dimming.
- 3.Secure the fixture on the wall and lock it in tight.
- 4.Press upward the cover, push side button and press, then lock it with springs tightly which located into the fixture.
- 5.The installation completed.
- 6.Press the buckle on both sides and remove, if you need to disassemble the cover.

B. Hanging installation

